

High Pressure Compressed Gas Filter Panel

72 - 10,494 SCFM

5000 psi - 345 bar

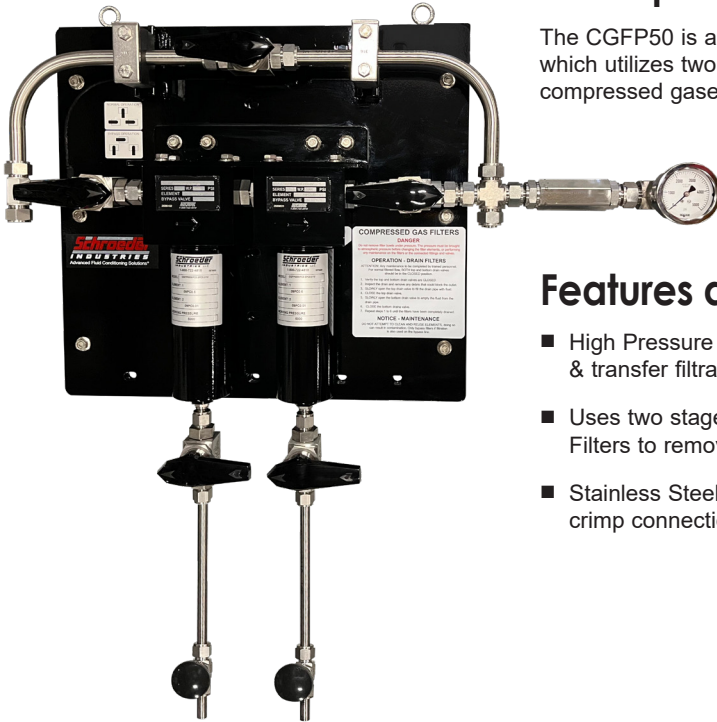
CGFP50

Description

The CGFP50 is a high pressure compressed gas filter panel which utilizes two CGF50 filters for efficient bulk filtration of compressed gases.

Features and Benefits

- High Pressure Compressed Gas Polishing Panel for dispensing & transfer filtration.
- Uses two stages of the Schroeder CGF50 Compressed Gas Filters to remove particles and aerosols of oil and water.
- Stainless Steel valves, connections, and tubing with flareless crimp connections are used for longevity and durability.



Applications



Point of Use Fuel Dispensing



Fleet Fill / Bulk Fuel Transfer



Bulk Fuel Unloading



Protection for High-Flow Fuel Injection Systems



Virtual Pipelines

Markets



INDUSTRIAL



MOBILE VEHICLES



MINING TECHNOLOGY



AGRICULTURE



POWER GENERATION



COMMON RAIL INJECTOR SYSTEMS



FLEET



BULK FUEL FILTRATION

Filter Housing Specifications

Porting Size	3/4" Compression
Maximum Pressure	5000 psig (345 bar)
Min/Max Temperature	-20°F - 300°F (-28.9°C - 148.9°C)
Filtration Rating	0.01 µm 0.5 µm, 100 µm
Filter Media Type	Pleated Coalescing, Stainless Steel Water Separator
Housing Material	Head: SG Cast Iron Head Housing: Nickel-Plated Steel
Sealing Material	FKM (Viton®)

High Pressure Compressed Gas Filter Panel

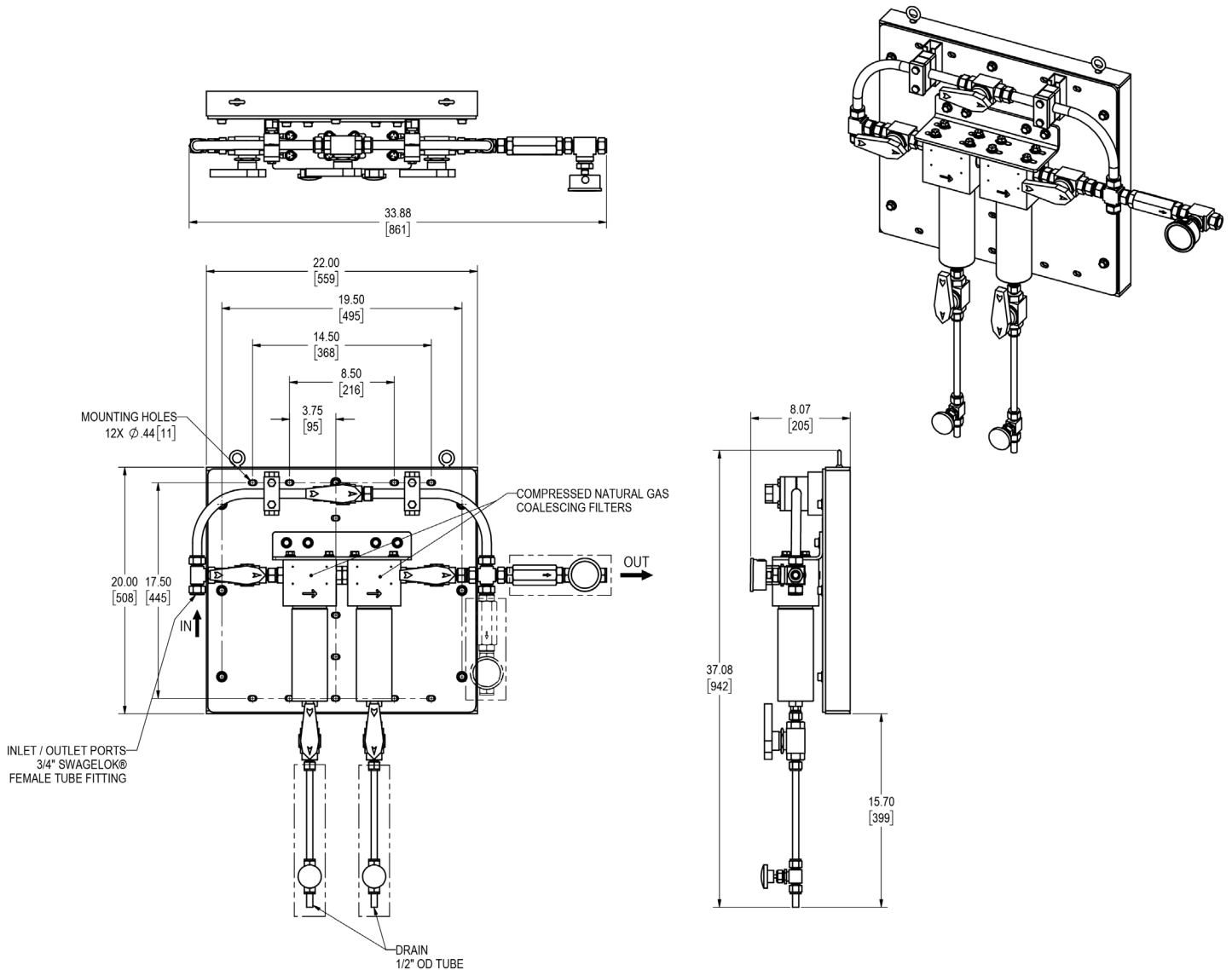
CGFP50

Flow Rates (SCFM)

Model	Element	100 PSIG	1000 PSIG	1500 PSIG	2000 PSIG	2500 PSIG	3000 PSIG	3500 PSIG	4000 PSIG	4500 PSIG	5000 PSIG
CGF5009	PC0.01	72	636	948	1266	1578	1890	2208	2520	2832	3030
CGF5009	PC0.5 or WS100	156	1380	2058	2742	3420	4098	4782	5460	6138	6822
CGF5009	WS100	156	1380	2058	2742	3420	4098	4782	5460	6138	6822
CGF5010	PC0.01	108	954	1428	1896	2370	2838	3312	3780	4248	4722
CGF5010	PC0.5 or WS100	240	2124	3168	4218	5262	6306	7356	8400	9444	10494
CGF5010	WS100	240	2124	3168	4218	5262	6306	7356	8400	9444	10494

Note: These rates are based on CNG. For compressed air, flow decreases by a factor of 1.2

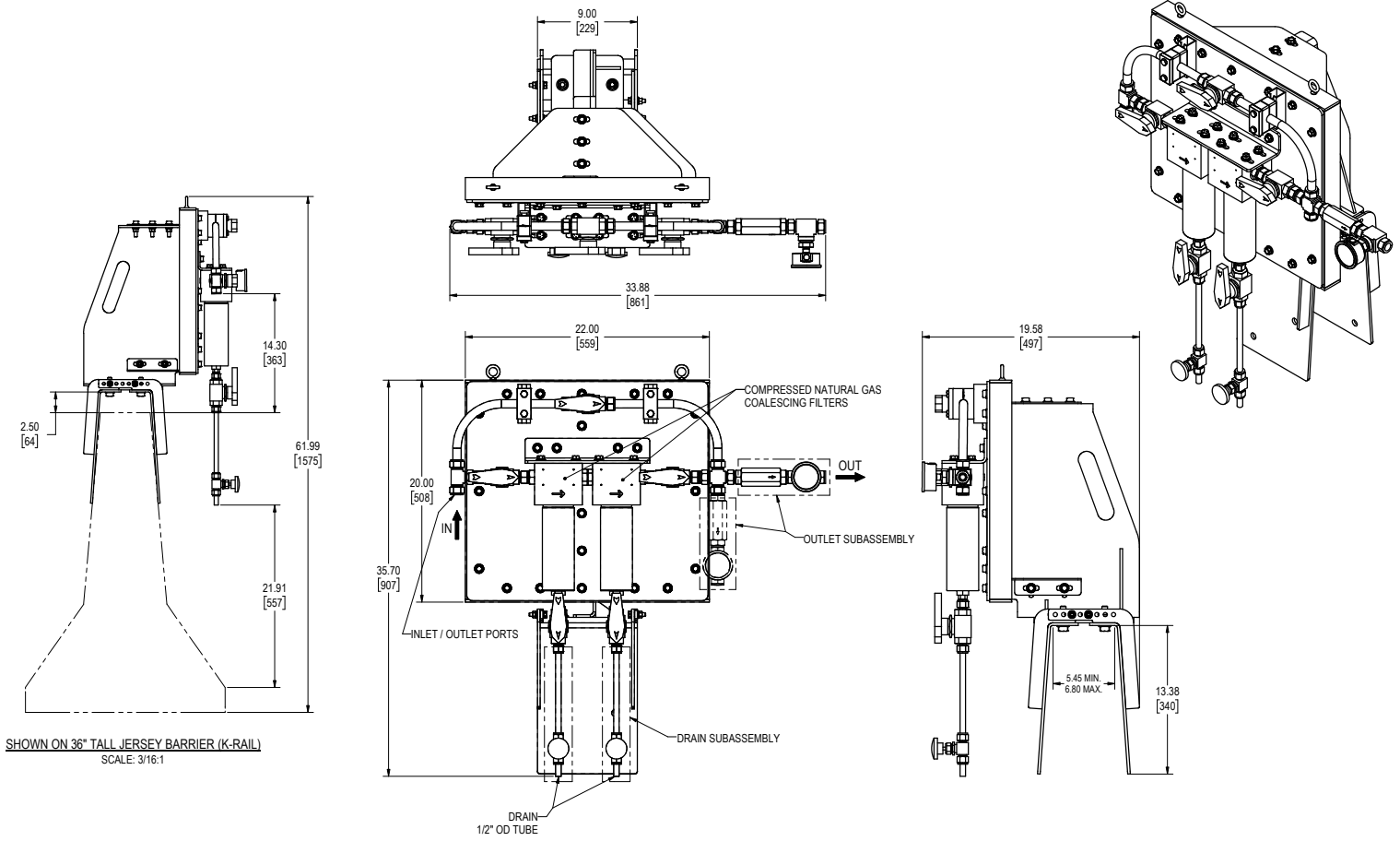
Column Mount



High Pressure Compressed Gas Filter Panel

CGFP50

Universal Mount



High Pressure Compressed Gas Filter Panel

CGFP50

How to Build a Valid Model Number for a Schroeder CGFP50:



Filter Series

CGFP = Compressed Gas Filter

Pressure

50 = 5000 psig (345 bar) Maximum pressure

Housing Size

09 = 9" Element Length

10 = 10" Element Length

Filtration

PC0.01 = Pleated Coalescing, 0.01 µm

PC0.5 = Pleated Coalescing, 0.5 µm

SWS100 = Stainless-Steel Water Separator, 100 µm

Mount Configuration

O = Omit

F = Floor Mount

K = K-Rail Mount

C = Caisson Mount

Accessories

N = None

H = Horizontal Drain Kit

V = Vertical Drain Kit

D = Differential Pressure Gauge Kit

NOTE: Replacement element part is a combination of Housing Size & Filtration